

Sundance® Spas 680 Peyton®

Specifications

Dimensions:	84" x 84" x 36" (213 cm x 213 cm x 91 cm)	
Perimeter	336" (853.4 cm)	
Seating Capacity:	6 Adults	
Dry Weight:	736 lbs (334 kg)	
Filled Weight (Spa Volume):	4,364 lbs (1,979 kg)	
Filled Weight (Average Fill):	3,447 lbs (1,563 kg)	
Water Capacity (Spa Volume):	435 US Gal (1,647 Liters)	
Water Capacity (Average Fill):	325 US Gal (1,230 Liters)	
Controls:	Solid-State Electronic Controls with LCD Readout, Programmable Water Temperature, Filtration, and Heat Cycles	
Water Delivery:	2 High-Flow Pump	
Pump 1:	North America (60 Hz): 2-Speed/2.5 HP Continuous, 11.0A Max., 56 Frame Export (50 Hz): 2-Speed/2.0 HP continuous, 8.0A max.	
Pump 2:	North America (60 Hz): 1-Speed/2.5 HP Continuous, 10A max., 56 Frame Export (50 Hz): 1-Speed/2.0 HP continuous, 8.0A max.	
Total Hydrojets:	34	
Seat A Jets:	4 - SL3R Rotational, 2 - SL5R Rotational	
Seat B Jets:	2 - SL3R Rotational	
Seat C Jets:	2 - SLR Rotational, 2 - SL Directional, 8 - SL3 Directional	
Seat D Jet:	1 - SL3R Rotational	
Seat E Jets:	2 - SLR Rotational, 8 - SL Directional, 1 - SL3 Directional	
Foot Well Jets (F):	2 - SL3 Directional	
Air Controls/Massage Selectors:	2/None	
Filter:	75 ft ² MicroClean® Mini™ Filter Cartridge System	
Water Treatment:	Factory installed CLEARRAY® unit	
Lighting:	LED Lighting System (Interior Surround); 2 Standard Exterior Lights	
Cabinet:	Available in Slate, Graphite	
Shell Colors:	North America: Platinum, Celestite, Monaco, Midnight, Porcelain Export (50 Hz): All North America colors	
Headrest:	Three, 1-piece gray	
Heater:	North America (60 Hz): 5.5 kW 240V High Flow Standard Export (50 Hz): 2.7 kW High Flow Standard	
Electrical Requirements:	North America (60 Hz): 240 VAC@40A, 50A or 60A Export (50 Hz): 230-240 VAC@1x16A, 1x32A or 2 out of 3-phase (see manual); or Suitably Rated Circuit Breaker to Comply with Local Electrical Regulations. Certain Countries May Require 2 Power Inputs; Two GFCI/RCD Breakers are Required for This Configuration.	
Limited Warranty*:	North America (60 Hz): 5 Years Shell, 3 Years Shell Surface, 3 Years Plumbing Component Leaks, 3 Years Equipment and Controls, 1 Year Cabinet, 1 Year Jets Export (50 Hz): 5 Years Shell, 3 Years Shell Surface, 3 Years Plumbing Component Leaks, 3 Years Equipment and Controls, 1 Year Cabinet, 1 Year Jets	
Alternative Insulation (Standard):	Yes (Insulation Panels)	
Waterfall Feature:	None	
Audio System (Optional):	N/A	
Special Features (Optional):	Factory Installed SmartTub® module	

*(See Warranty Document for Specific Details)

Dimensions/Specifications Subject To Change Without Notice

Sundance Spas 680 Peyton

Operation/Seat Depths



(A) Air Control - Activates Seat A Jets (4 - SL3R, 2 - SL5R) + Seat B Jets (2 - SL3R) + Seat E Jets (2 - SLR, 8 - SL, 1 - SL3) + Footwell Jets (2 - SL3)

(B) Air Control - Activates Seat C Jets (2 - SLR, 2 - SL, 8 - SL3) + Seat D Jet (1 - SLR)

- Jets Pump 1: Powers Seat A Jets + Seat B Jets + Seat E Jets + Footwell Jets when running

- Jets Pump 2: Seat C Jets + Seat D Jet when running

34 Total Jets (Stainless Steel Escutcheons Standard)



SL Jets (10)



SLR Jets (4)



SL3 Jets (11)



SL3R Jets (7)



SL5R Jets (2)

Spa Operation Subject To Change Without Notice

SEAT DEPTHS

A = 26.63" (67.63 cm)

B = 22.50" (57.15 cm)

C = 25.00" (63.50 cm)

D = 22.00" (55.88 cm)

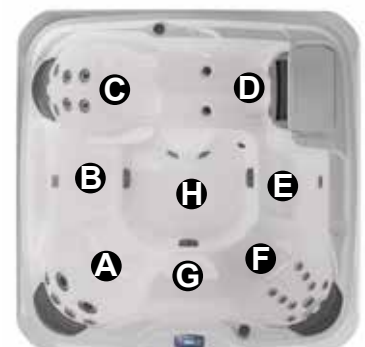
E = 22.50" (57.15 cm)

F = 26.88" (69.85 cm)

G = 19.75" (50.16 cm)

H = 30.00" (76.20 cm)

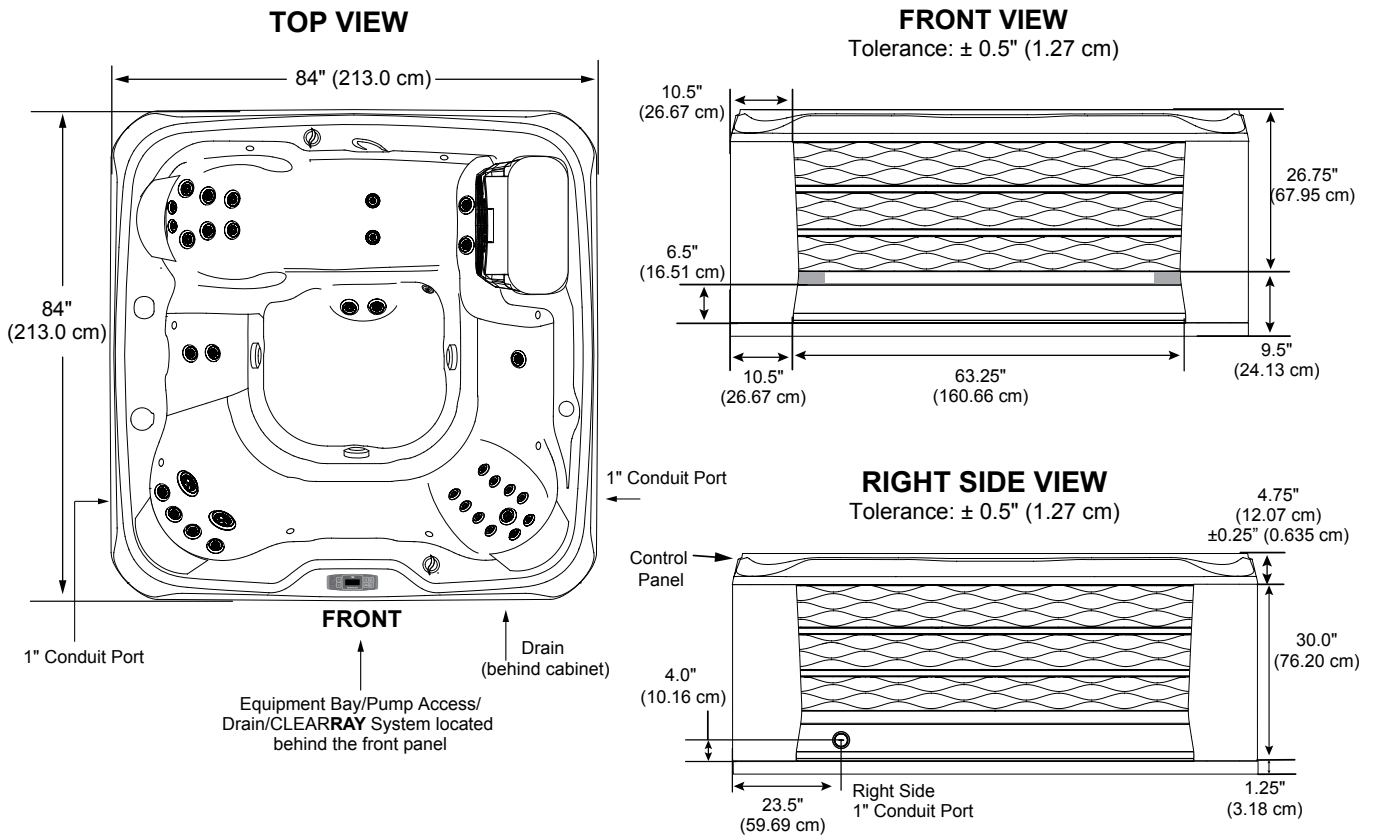
Listed dimensions represent distance from top of acrylic to lowest point in seat. Tolerance $\pm 0.5"$ (1.27 cm).



Dimensions/Specifications Subject To Change Without Notice

Sundance Spas 680 Peyton

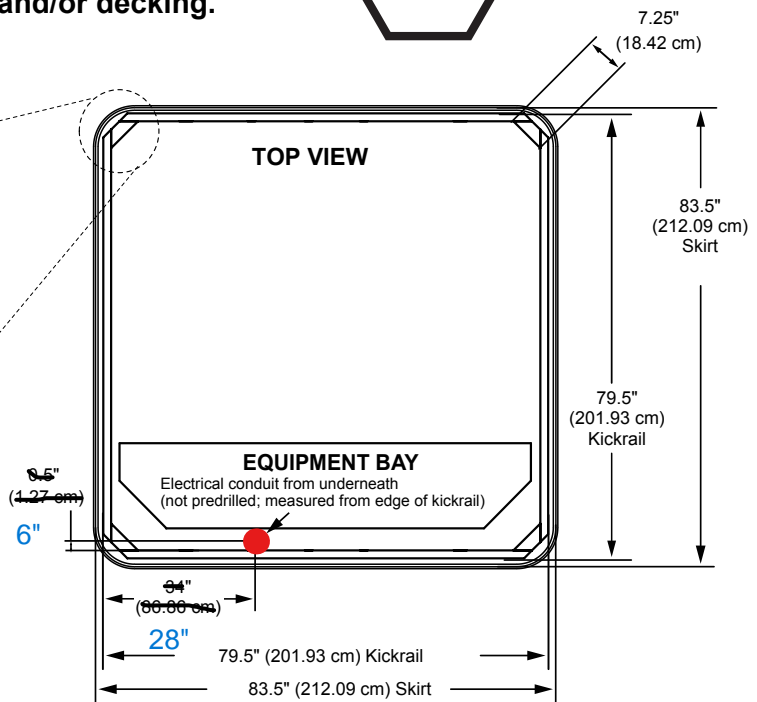
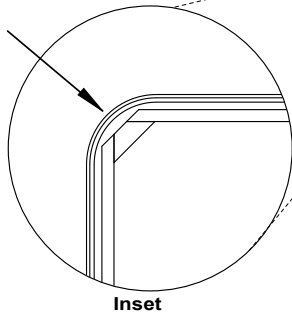
Portable Dimensions



IMPORTANT! Always measure each hot tub for exact dimensions BEFORE designing its foundational support and/or decking.



4 x $\approx R 10.0"$
 ($\approx R25.4$ cm) Skirt



Dimensions/specifications subject to change without notice. Tolerance: $\pm 0.5"$ (1.27 cm)

Dimensions/Specifications Subject To Change Without Notice